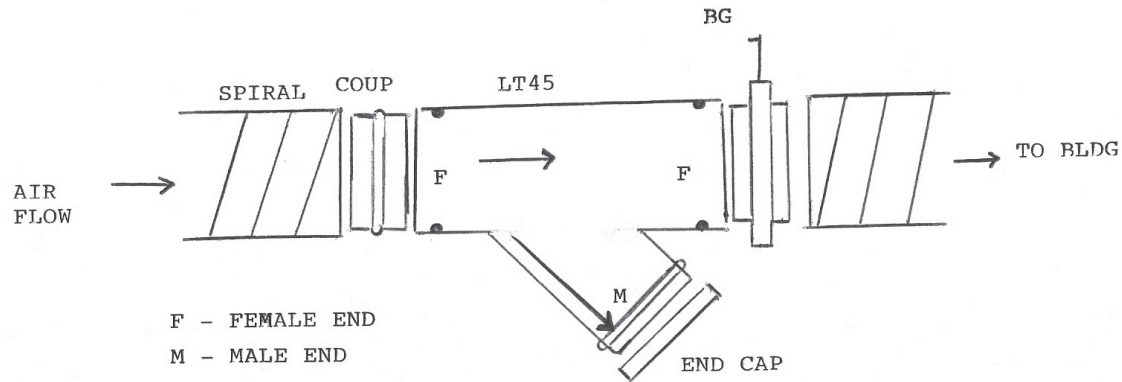




Summer/Winter Clean Air Bypass



OR

