



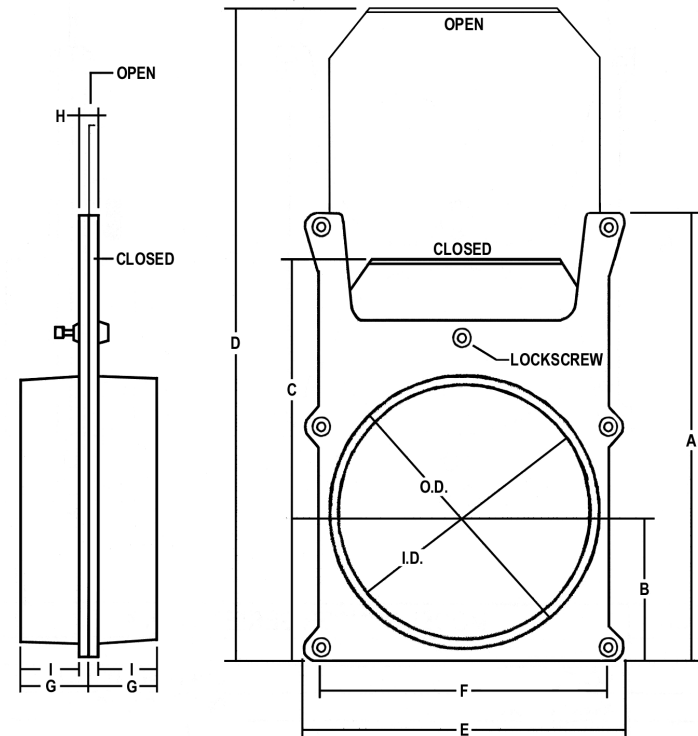
AIR HANDLING SYSTEMS

Full Blast Gate



Full Blast Gates 3"-24" are constructed of aluminum castings with a galvanized steel slide blade. Gate can be disassembled for cleaning. Blast Gates are used to balance the air going from one branch to another branch. When a machine is used for only a part of the workday, you can close the Blast Gate and divert the air to another machine. Also available: Half Blast Gates, Self-Cleaning Gates, and Hose to Blastgate Connector.

| Diameter | I.D. | O.D. | A | B | C | D | E | F | G | H | I | Weight |
|----------|-------|-------|-------|-------|-------|-------|-------|-------|------|------|------|--------|
| 2" | 2.00 | 2.31 | 4.50 | 1.75 | 2.50 | 6.25 | 3.63 | 3.00 | 0.94 | 0.31 | 0.75 | 0.55 |
| 3" | 2.50 | 2.81 | 5.63 | 1.69 | 3.13 | 7.57 | 4.00 | 3.38 | 0.94 | 0.38 | 0.75 | 0.50 |
| 4" | 3.44 | 3.81 | 6.88 | 2.38 | 3.75 | 9.94 | 5.00 | 4.38 | 0.94 | 0.38 | 0.75 | 1.07 |
| 5" | 4.50 | 4.75 | 8.00 | 3.00 | 4.50 | 12.50 | 6.00 | 5.38 | 1.06 | 0.38 | 0.88 | 1.50 |
| 6" | 5.44 | 5.56 | 10.00 | 3.25 | 5.50 | 14.50 | 7.00 | 6.38 | 1.06 | 0.38 | 0.88 | 2.21 |
| 7" | 6.44 | 6.81 | 11.25 | 3.75 | 5.56 | 15.63 | 8.00 | 7.38 | 1.25 | 0.38 | 1.06 | 2.77 |
| 8" | 7.44 | 7.81 | 12.63 | 4.50 | 7.13 | 18.75 | 9.63 | 8.63 | 2.00 | 0.50 | 1.50 | 4.07 |
| 10" | 9.56 | 9.81 | 14.38 | 5.34 | 7.44 | 22.34 | 11.38 | 10.38 | 1.88 | 0.69 | 1.50 | 5.75 |
| 12" | 11.56 | 11.81 | 16.25 | 6.75 | 9.00 | 27.38 | 13.25 | 12.25 | 1.81 | 0.63 | 1.50 | 6.28 |
| 14" | 13.44 | 13.69 | 18.94 | 7.22 | 9.75 | 30.35 | 15.75 | 14.75 | 2.19 | 0.63 | 1.88 | 7.75 |
| 16" | 15.44 | 15.69 | 21.25 | 8.56 | 11.50 | 35.56 | 17.88 | 16.88 | 2.19 | 0.63 | 1.69 | 11.91 |
| 18" | 17.44 | 17.66 | 32.56 | 10.69 | 13.13 | 41.25 | 20.13 | 19.13 | 3.50 | 0.81 | 3.13 | 15.74 |
| 20" | 19.44 | 19.69 | 34.00 | 11.19 | 14.19 | 44.82 | 22.25 | 21.25 | 3.56 | 0.81 | 3.13 | 37.26 |
| 22" | 21.47 | 21.84 | 34.00 | 12.00 | 13.63 | 47.44 | 24.50 | 23.50 | 3.56 | 0.81 | 3.13 | 45.50 |
| 24" | 23.44 | 23.81 | 34.00 | 13.00 | 15.00 | 62.44 | 26.50 | 25.50 | 3.56 | 0.75 | 3.13 | 50.31 |



Due to market changes and fluctuations beyond our control, specifications and pricing subject to change without notice. Buyers subject to terms and conditions of sale. Many states and localities have codes and regulations governing sales, construction, installation and or use of Products for certain purposes, which may vary from those in neighboring areas. While Air Handling Systems by Manufacturers Service Co., Inc. attempts to assure that its Products comply with such codes, it cannot guarantee compliance, and cannot be responsible for how the Product is installed or used. Before purchase and use of a Product, please review the Product application, national & local codes, regulations, and be sure that the Product, installation, and use will be in compliance. Copyright Air Handling Systems.

Air Handling Systems - 5 Lunar Dr., Woodbridge, CT 06525
Phone: 800.367.3828 Fax: 800.438.7135 www.airhand.com