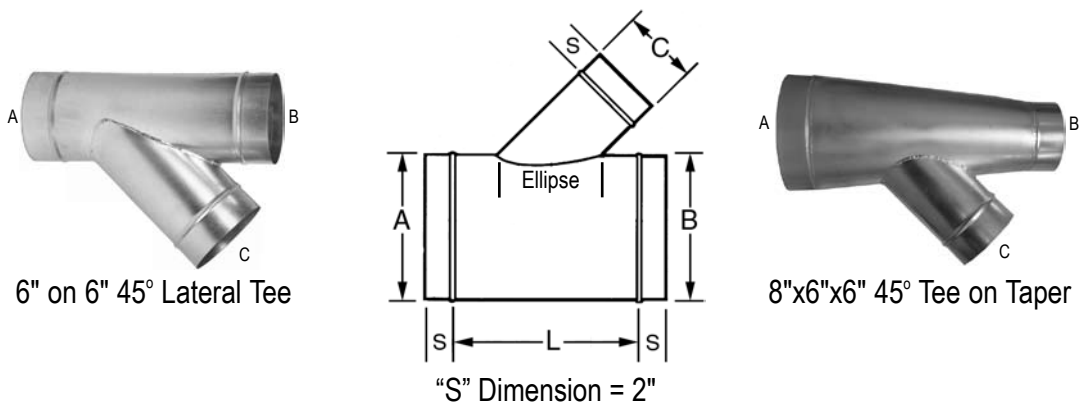




Lateral Tee Specifications

Built of 20 gauge steel, stronger than most competitor's products, Lateral Tees are fully welded, air tight to prevent leakage, saving you money. To minimize turbulence and possible particulate that may settle out in your dust and fume collection ductwork, we recommend that Lateral Tee branches enter the main at a 45° angle. Lateral Tees should be installed to the side of the main, and no two branches should be entering opposite one another.



Branch Dia. "C"	Ellipse Length	LT45 45 deg. Lateral Overall Barrel Length "S"+"L"+"S"	TTAP45 45 deg. Tee on Taper Overall Barrel Length "S"+"L"+"S"
3"	4.25"	12.25"	16.25"
4"	5.50"	13.50"	17.50"
5"	7.00"	15.00"	19.00"
6"	8.50"	16.50"	20.50"
7"	10.00"	18.00"	22.00"
8"	11.25"	19.25"	23.25"
9"	12.75"	20.75"	24.75"
10"	14.00"	22.00"	26.00"
11"	15.50"	23.50"	27.50"
12"	17.00"	25.00"	29.00"
13"	18.25"	26.25"	30.25"
14"	19.75"	27.75"	31.75"
15"	21.00"	29.00"	33.00"
16"	22.50"	30.50"	34.50"

"Boot" Tee same as Lateral Tee